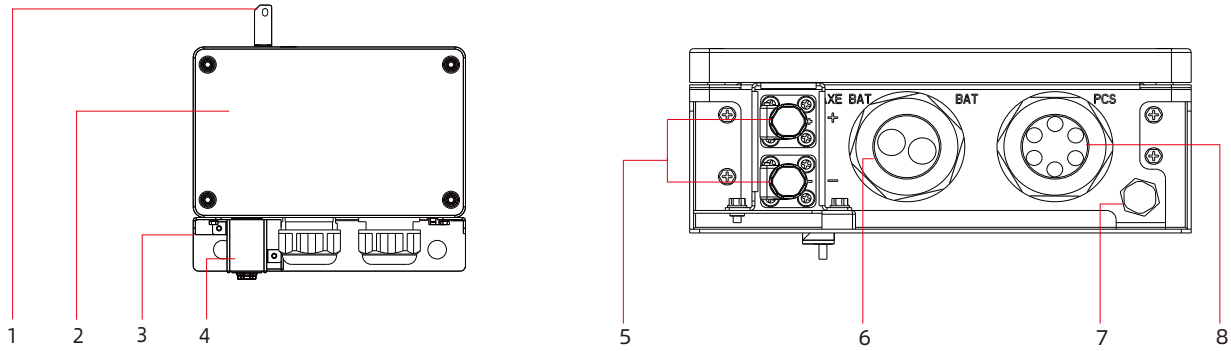


## 1. Introduction



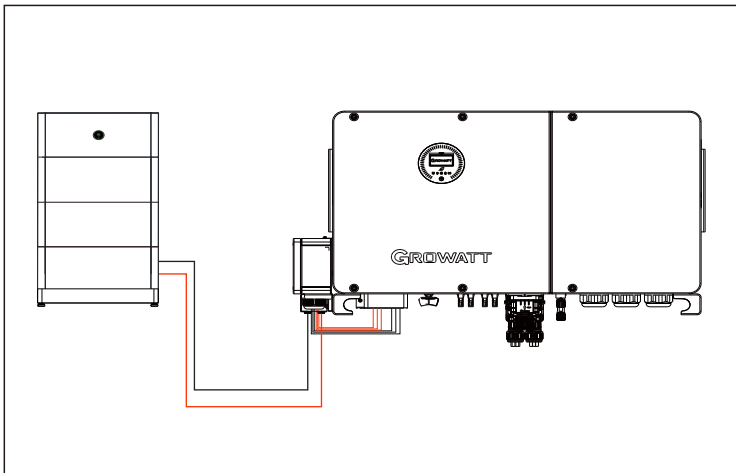
- (1) Fixing bracket      (2) Cover plate      (3) Mounting bracket      (4) Protective cover      (5) AXE battery terminals  
(6) Other battery terminals      (7) Vent valve      (8) PCS terminal

### ⚠ Note:

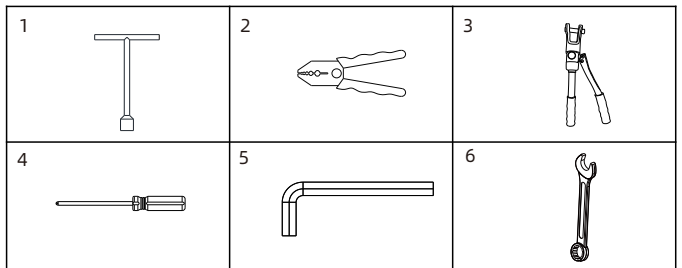
- This document is intended for quick installation guidance of the battery terminal junction box. Please also refer to the User Manuals of the PCS and the battery.
- Growatt shall not be held liable for any damage caused by improper installation.

## 2. Installation

### 2.1 System overview

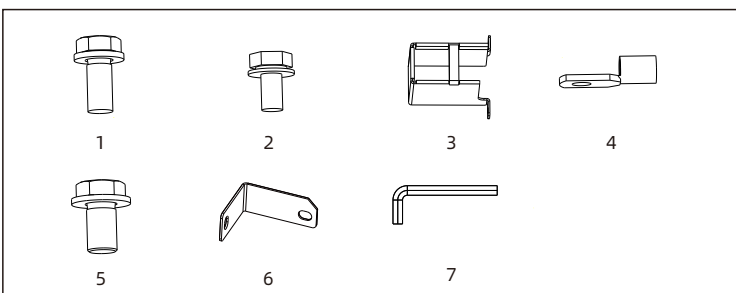


### 2.2 Installation tools



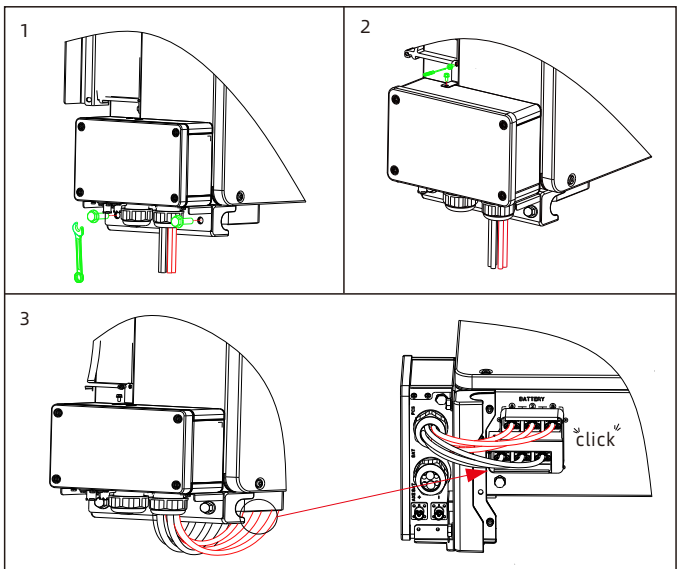
No.	Name	Specification	No.	Name	Specification
1	T-type socket wrench	18mm	2	Cable stripper	/
3	Crimping plier	/	4	Cross-head screwdriver	PH2*300
5	Hex socket wrench	5mm	6	Wrench	18mm

### 2.3 Accessories



No.	Name	Qty	No.	Name	Qty
1	M12*25 bolt	2	5	M8*20 bolt	2
2	M4*8 Cross recessed hex head combination screw	4	6	Junction box fixing element	1
3	AXE battery terminal protective cover	1	7	Allen key	1
4	Crimping terminal (50mm <sup>2</sup> )	2	/	/	/

### 2.4 Installation procedure



## 3. Cable connections

### 3.1 Prepare the cables

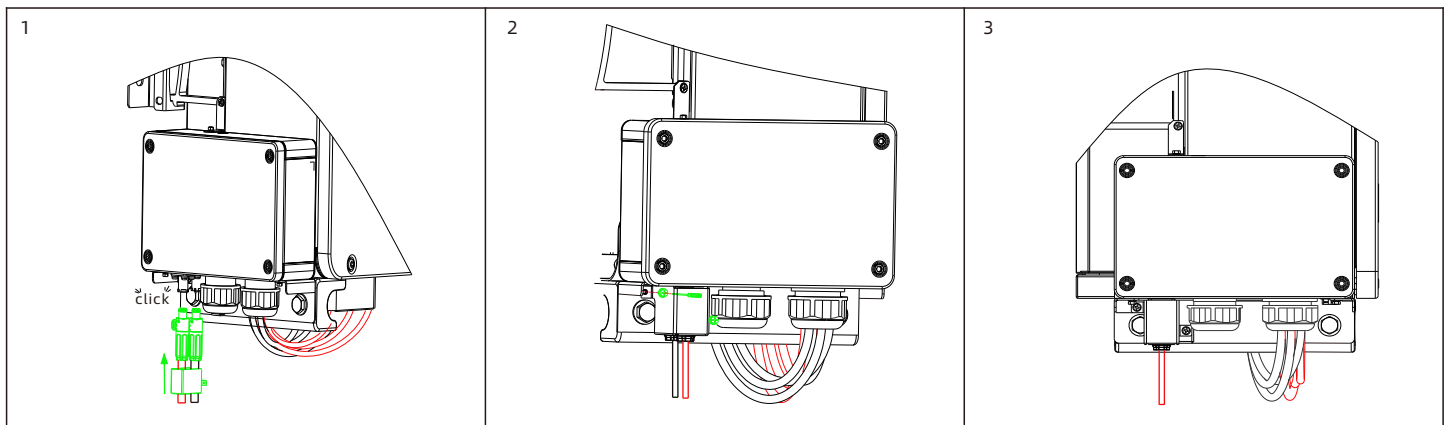
Prepare the following cables based on the battery type before cable connections.

No.	Battery type	Cable type	Specification	Note
1	AXE battery	Orange/black single-core copper wire	25 mm <sup>2</sup>	Delivered with the AXE battery package
2	Other batteries	Orange/black single-core copper wire	50 mm <sup>2</sup>	Prepared by users

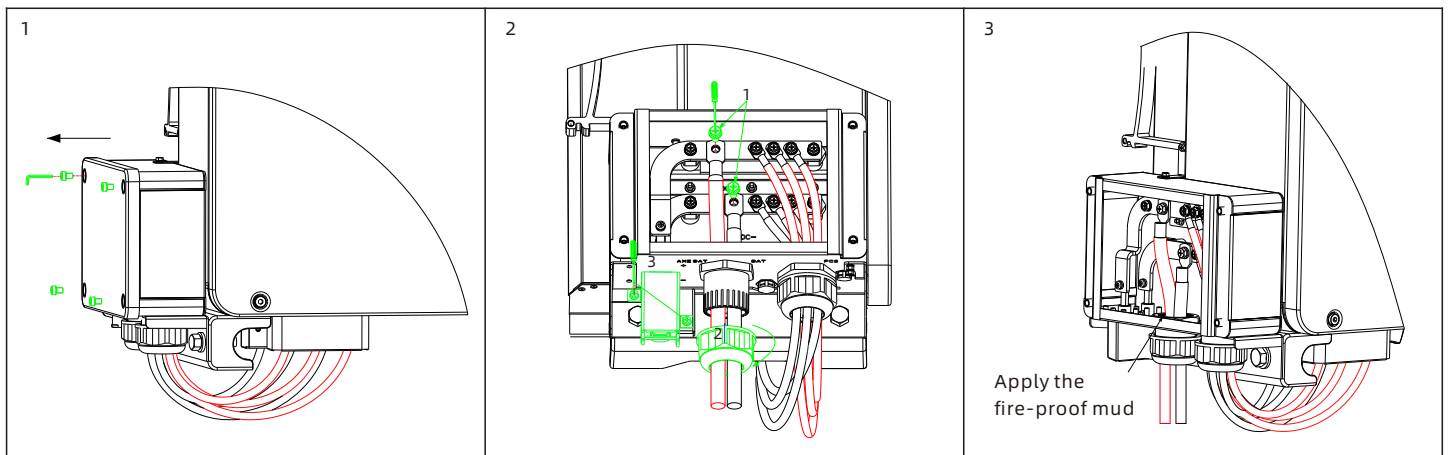
#### ⚠ Note:

1. For personal safety, do not operate with electricity.
2. It is recommended that the cable prepared by yourself not longer than 10 m.
3. It is not allowed to connect the AXE battery and other batteries at the same time.

### 3.2 Connect the AXE battery cables



### 3.3 Connect other battery cables



## 4. Service and contact

Shenzhen Growatt New Energy Co., Ltd  
4-13/F, Building A, Sino-German (Europe) Industrial Park,  
Hangcheng Blvd, Bao'an District, Shenzhen, China

T +86 755 2747 1942

E [service@ginverter.com](mailto:service@ginverter.com)

W [en.growatt.com](http://en.growatt.com)



Download  
Manual



🔍 Growatt New Energy

GR-UM-424-A-01 (PN: 044.0132701)